

Sensor tester

The SST sensor tester enables the rapid testing and adjustment of inductive sensors, magnetic switches and reed contacts. The necessary power is supplied by a 9 V compound battery.



Function description

The sensor is connected to the M8 – M12 or terminal connection of the sensor tester and the ON button pressed. The sensor position is displayed visually by LEDs and output acoustically via a signal buzzer.

Your advantages and benefits

Visual and acoustic signal

for simple function checking and adjustment

For 2 and 3-wire DC technology

enabling the connection of reed contacts, capacitive and inductive sensors

Tests possible without dismantling sensors

for short maintenance times

Connections for M8 and M12 or open cable ends possible

ensuring suitability for all SCHUNK sensors

PNP and NPN sensors can be tested

Operating voltage with 9 V compound battery

for mobile use

Automatic cut-off function

for an extended battery life

Application example



Area of application

Sensor testing and adjustment of the switching point (sensor calibration)

- 1 Sensor tester SST
- 2 Inductive proximity switches IN 80
- 3 Metal plate

General information

Scope of delivery

Sensor tester incl. assembly and operating manual with manufacturer's declaration, 9 V compound battery

Notes

Please note that only one SST input (M8 or M12 or cable terminal input) can be used at once.

If the toggle switch is towards the sticker (nameplate), PNP is selected, if not, NPN

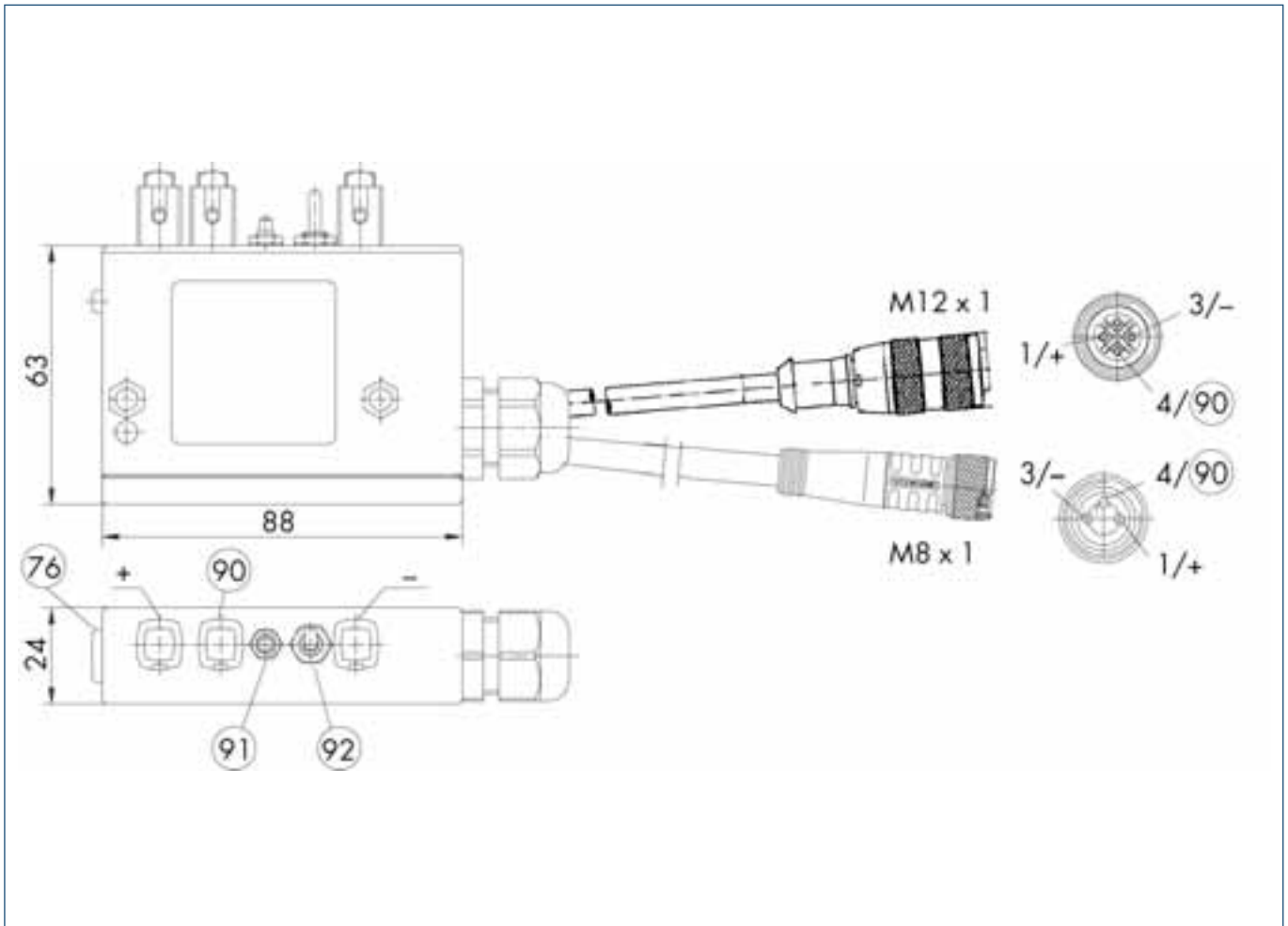




Technical data

Description	ID	SST
Battery		9 V DC (compound battery Type LR 61)
Connection 1		M12*1
Connection 2		M8*1
Connection 3		direct clamping
Housing material		plastic
IP class		20

Main views



- ⑦⑥ LED
- ⑨⑩ Output
- ⑨① ON button
- ⑨② PNP / NPN changeover switch

