

## Adjustable housing for proximity switch

The adjustable housings enable the position of the sensor to be set once only. If the sensor is changed, the sensor position is retained.



### Function description

The sensor is inserted in the adjustable housing and fastened with the coupling ring. Next, the switching position is set. When the sensor is changed, the adjustable housing remains in the same location – only the sensor is changed by removing the coupling ring.

### Your advantages and benefits

**Setting has to be carried out only once**  
for rapid sensor replacement without recalibration

**Corrosion-free material**  
for a long service life

**Switches are protected against shocks**  
preventing mechanical destruction

## Application example

### Area of application

For universal use in the monitoring of automation modules with proximity switches



**1** NHG adjustable housing

**2** SRU 63 Flat Rotary Actuator

## General information

**Warranty**  
24 months

## Notes

The coupling ring is slotted for fitting onto the cable.

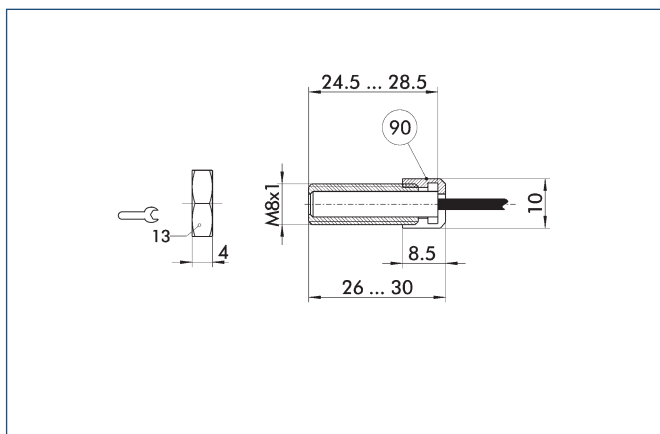




## Technical data

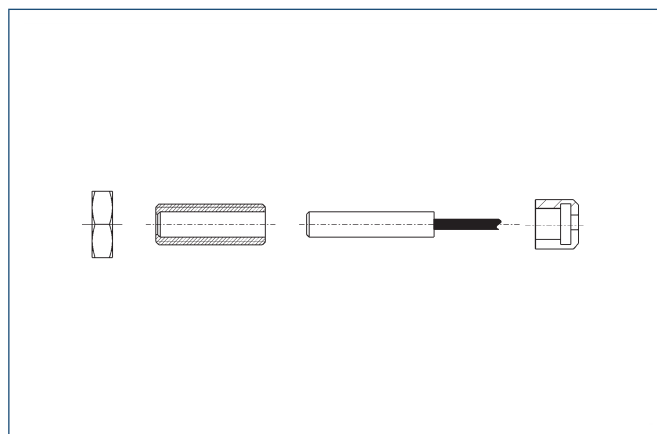
Description		NHG 5	NHG 8
	ID	9646006	9646007
Suitable sensor Ø		M5	M8
Min. sensor length	[mm]	31.5	24.5
Max. sensor length	[mm]	35.5	28.5
Weight	[kg]	0.008	0.006
Material		Steel	Steel

## NHG 5

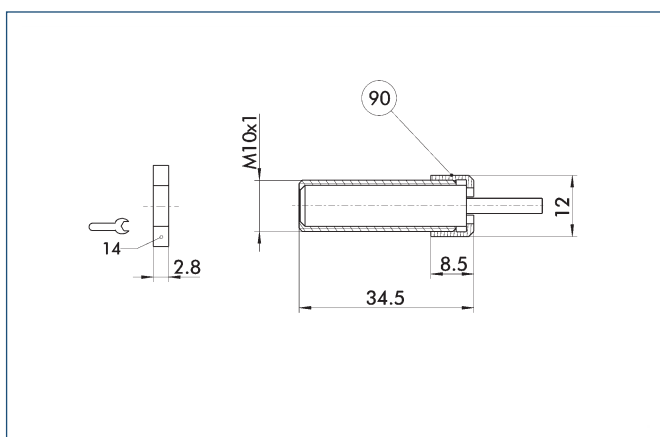


90 Coupling ring is slotted for fitting onto the cable

## NHG 5 assembly



## NHG 8



90 Coupling ring is slotted for fitting onto the cable

## NHG 8 assembly

