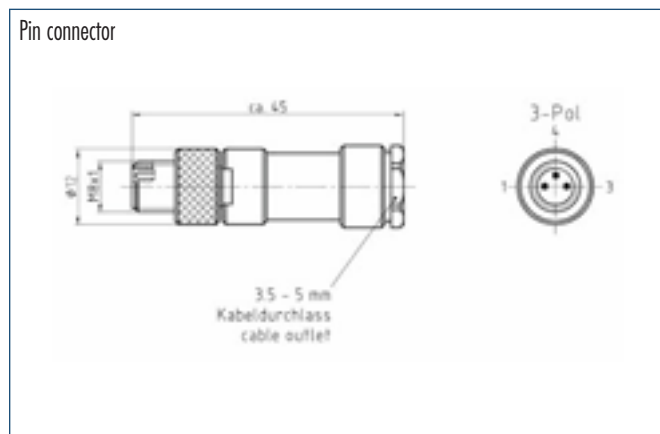


Accessories for Sensor Systems

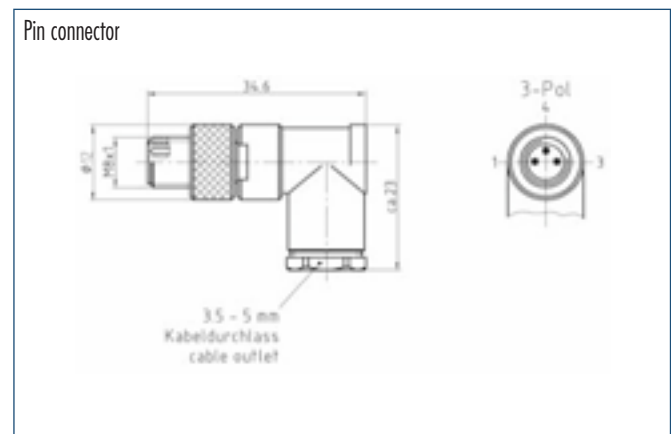
Accessories • Sensor Systems • M8 Connectors

Configurable cable connectors, straight



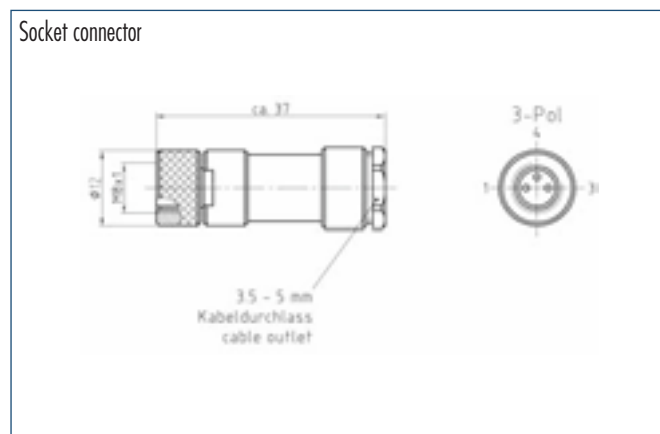
ID	0300050
Connection	3-pin
Maximum voltage [V]	60 AC / 75 DC
Maximum amperage [A]	4
Max. cross-section for connection [mm ²]	0.25
Protection class	IP 67
Housing material	PA

Configurable cable connectors, angled



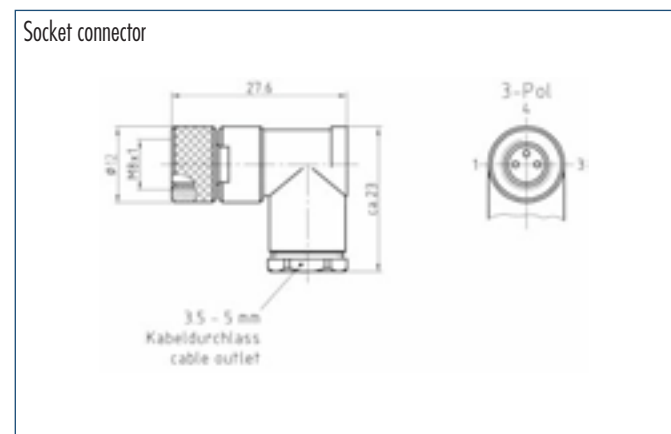
ID	0300051
Connection	3-pin
Maximum voltage [V]	60 AC / 75 DC
Maximum amperage [A]	4
Max. cross-section for connection [mm ²]	0.25
Protection class	IP 67
Housing material	PA

Configurable cable connectors, straight



ID	0300052
Connection	3-pin
Maximum voltage [V]	60 AC / 75 DC
Maximum amperage [A]	4
Max. cross-section for connection [mm ²]	0.25
Protection class	IP 67
Housing material	PA

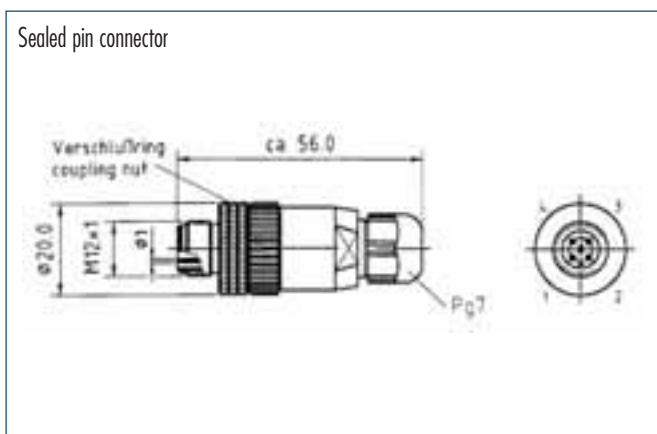
Configurable cable connectors, angled



ID	0300053
Connection	3-pin
Maximum voltage [V]	60 AC / 75 DC
Maximum amperage [A]	4
Max. cross-section for connection [mm ²]	0.25
Protection class	IP 67
Housing material	PA

Configurable cable connectors, straight

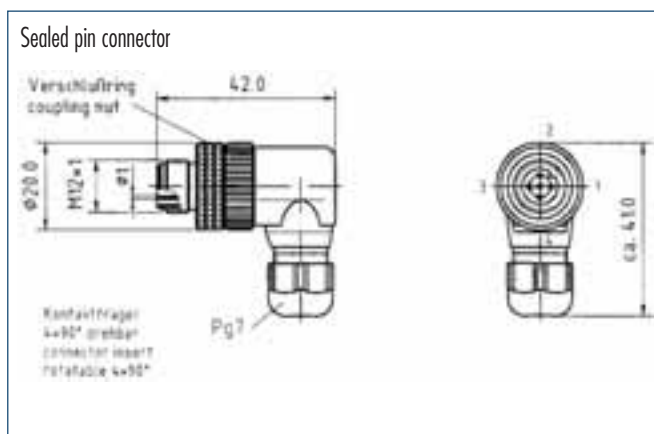
Sealed pin connector



ID	0300060
Connection	4-pin
Maximum voltage [V]	250 AC / 300 DC
Maximum amperage [A]	4
Max. cross-section for connection [mm ²]	0.75
Protection class	IP 68
Housing material	PA
Cable terminal area [mm]	Ø 2.5 – Ø 6.5

Configurable cable connectors, angled

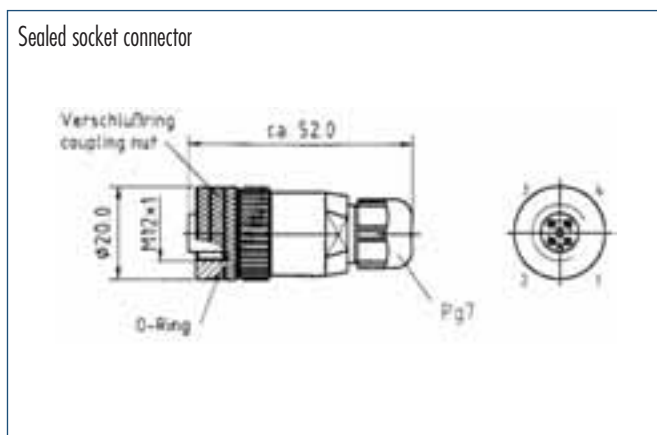
Sealed pin connector



ID	0300061
Connection	4-pin
Maximum voltage [V]	250 AC / 300 DC
Maximum amperage [A]	4
Max. cross-section for connection [mm ²]	0.75
Protection class	IP 68
Housing material	PA
Cable terminal area [mm]	Ø 2.5 – Ø 6.5

Configurable cable connectors, straight

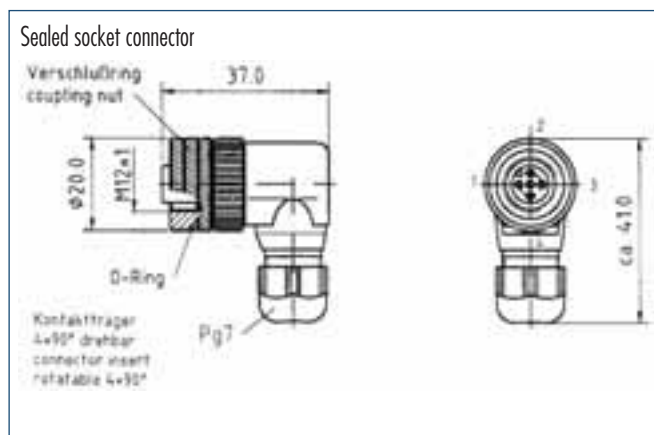
Sealed socket connector



ID	0300062
Connection	4-pin
Maximum voltage [V]	250 AC / 300 DC
Maximum amperage [A]	4
Max. cross-section for connection [mm ²]	0.75
Protection class	IP 68
Housing material	PA
Cable terminal area [mm]	Ø 2.5 – Ø 6.5

Configurable cable connectors, angled

Sealed socket connector

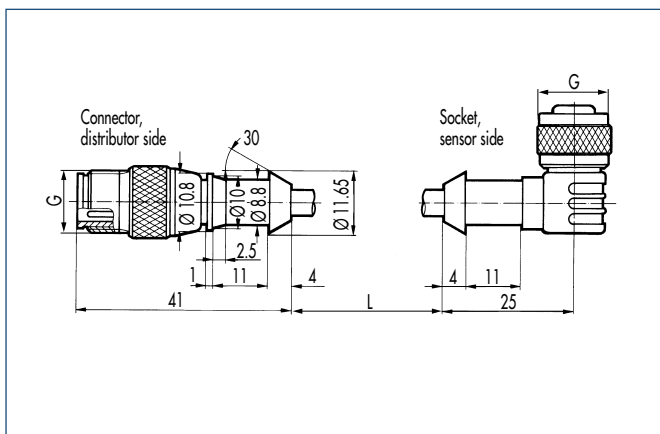


ID	0300063
Connection	4-pin
Maximum voltage [V]	250 AC / 300 DC
Maximum amperage [A]	4
Max. cross-section for connection [mm ²]	0.75
Protection class	IP 68
Housing material	PA
Cable terminal area [mm]	Ø 2.5 – Ø 6.5

Accessories for Sensor Systems

Accessories • Sensor Systems

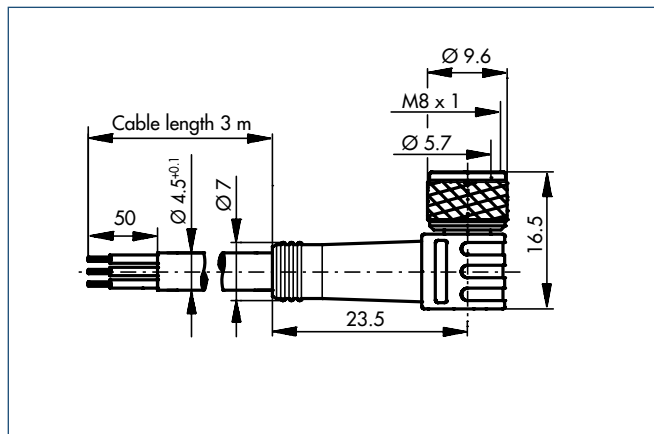
KV cable extensions for IN



KV cable extensions for IN proximity switches

Description	ID	Length L	Thread G
KV 3-M12	0301595	0.3 m	M12
KV 10-M12	0301596	1.0 m	M12
KV 20-M12	0301597	2.0 m	M12
KV 3-M8	0301495	0.3 m	M8
KV 10-M8	0301496	1.0 m	M8
KV 20-M8	0301497	2.0 m	M8

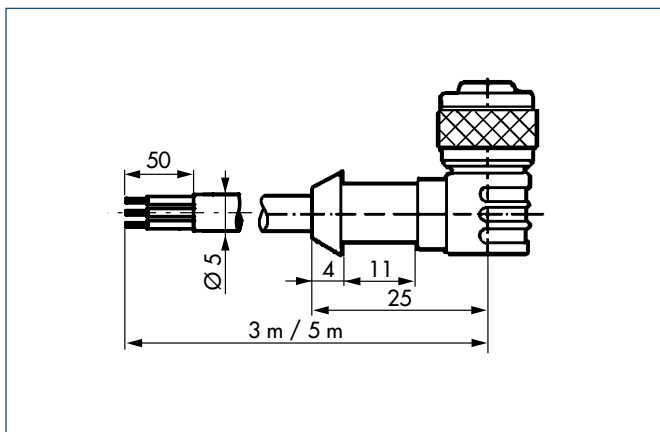
Feeder cable with right-angle plug WK



M8 connector, right-angle plug with 2 LEDs

Description	ID	Cable length
WK 3-M8	0301594	3 m
WK 5-M8	0301502	5 m
WK 3-M8 NPN	0301602	3 m
WK 5-M8 NPN	9641116	5 m

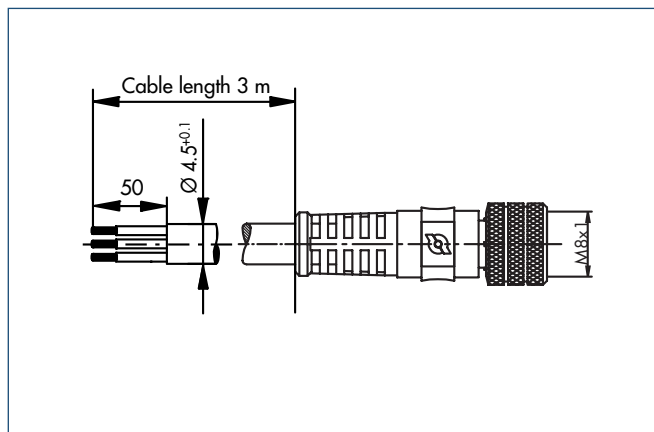
Feeder cable with right-angle plug W



M12 connector, right-angle plug with 2 LEDs

Description	ID	Cable length
W 3-M12	0301503	3 m
W 5-M12	0301507	5 m

Feeder cable with straight plug GK 3



M8 connector, straight plug with 2 LEDs

Description	ID	Cable length
GK 3-M8	0301622	3 m

Interconnecting cable for MEG



Interconnecting cable for the electrical connection of MEG-K and MEG-EC 2-finger parallel grippers

Description	ID	Cable length
MEG-EC-K5-W	0307765	5 m
MEG-EC-K10-W	0307766	10 m
MEG-EC-K5-G	0307767	5 m
MEG-EC-K10-G	0307768	10 m
MEG-IC-K5-W	0307760	5 m
MEG-IC-K10-W	0307761	10 m

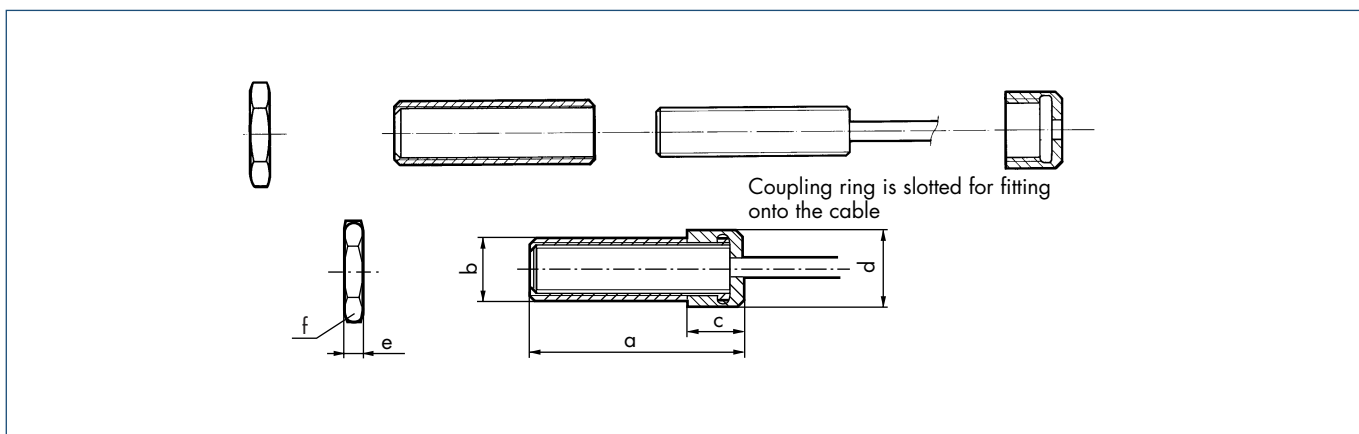
Hybrid cable for PG/PR/PW/PDU/PSM



Interconnecting cable for the electrical connection of modules from the PowerCube series

Description	ID	Basic length	Extended length
PowerCube hybrid cable spiraled	0307753	0.3 m	0.8 m
PowerCube hybrid cable spiraled	0307754	0.46 m	1.5 m
PowerCube hybrid cable straight	9941120	By the meter	—

Adjustable housing for proximity switches



Description	NHG 5	NHG 8
ID	9646006	9646007
Suitable for type	M5 x 0.5 x 25	M8 x 1 x 32
a	27	34.5
b	M8 x 1	M10 x 1
c	8.5	8.5
d	10	12
e	4	2.8
f	SW 13	SW 14

Advantages of the NHG

- Setting has to be carried out only once
- Rapid replacement of faulty switches
- Corrosion-free material
- Setting does not have to be changed if proximity switch is replaced
- Switches are protected against mechanical influences

Product advantages

The SST sensor tester is an efficient assistant in service and assembly. For the rapid testing and adjustment of proximity sensors.

- Visual and acoustic signal
- For 2 and 3-wire DC technology
- Testing possible without dismantling sensors
- Connections for M8 and M12 or open cable ends possible
- PNP and NPN detection possible
- Operating voltage with 9 V compound battery
- "Auto-Power Off" function



Technical data

Description	ID	SST
Supply voltage	[V]	9 DC (compound battery type 6 LR 61)
Internal operating voltage	[V]	15 DC
Protection class to DIN 40050		IP 20
LED display		Yes
Operating voltage display		Green LED
Function display		Yellow LED
Undervoltage display		Red LED
Housing		PA 6.6 blue

Main views

