

Product advantages

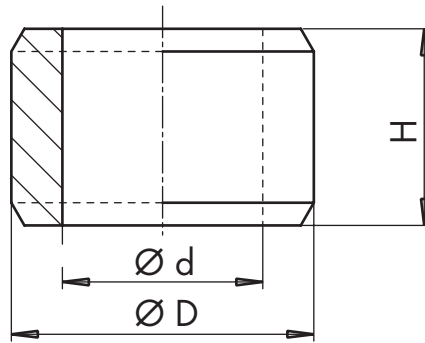
- Simple, space-saving centering
- Easy assembly
- High replacement accuracy
- Suitable for numerous SCHUNK automation modules



Technical data

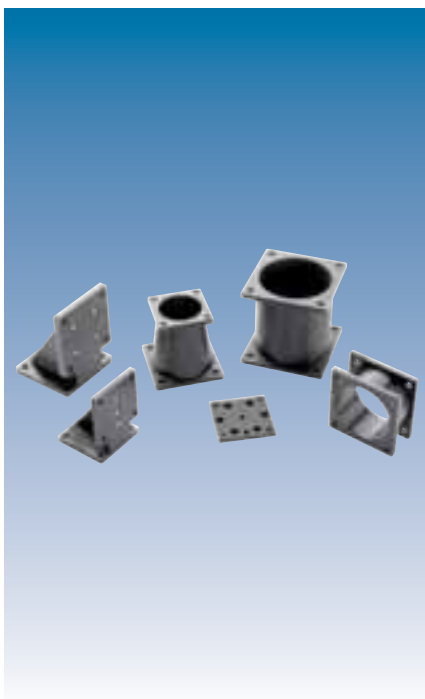
Diameter [mm]	ID	Ø d	H
2	9941547	1.3	1.95 -0.05
2.5	9941628	1.7	1.95 -0.05
3	9941629	2.1	1.95 -0.05
3.5	9939947	2.1	2.95 -0.05
4	9939376	2.6	3.95 -0.05
5	9939377	3.1	4.35 -0.05
6	9939384	4.1	5.35 -0.05
8	9939378	5.1	5.35 -0.05
10	9939379	6.2	6.65 -0.05
12	9939380	8.2	6.65 -0.05
14	9939381	10.2	8.60 -0.10
16	9939382	12.2	8.60 -0.10
22	9939383	16.2	13.60 -0.10
28	9941220	21.0	17.60 -0.10

Main views

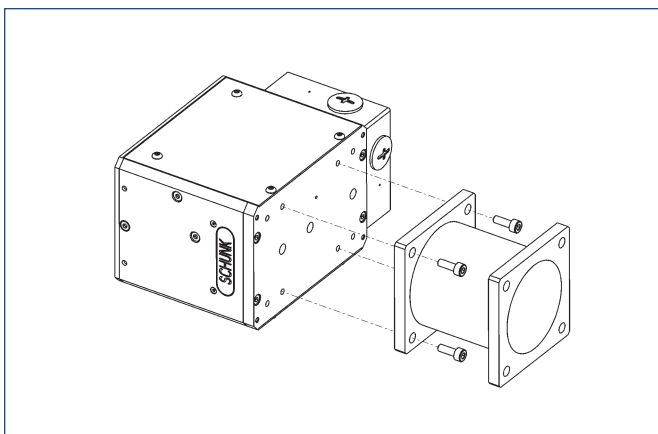


Product advantages

- Standard elements for connecting PowerCube modules with complete repeat accuracy
- Suitable for all grippers and rotary units of the PowerCube series (PG/PR/PW/PSM/PDU)
- Shaped designs: straight, conical and right-angle
- Special lengths on request



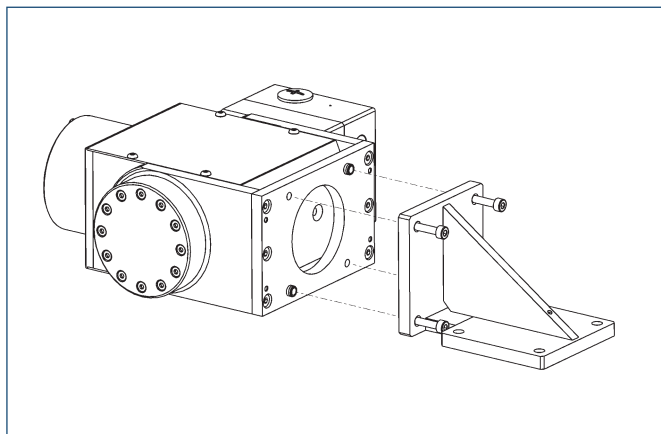
Straight PAM



Straight standard connecting element suitable for PG grippers, PR rotary unit, PW rotary tilting unit, PSM/PDU servo-motors and PLS linear modules of the PowerCube series. Special lengths on request

Description		PAM 100	PAM 101	PAM 102	PAM 103	PAM 104	PAM 105
	ID	0307800	0307801	0307802	0307803	0307804	0307805
Dimensions	[mm]	70x70/35/70x70	70x70/70/70x70	90x90/45/90x90	90x90/90/90x90	110x110/55/110x110	110x110/110/110x110
Suitable for		PG 70/PR 70/ PW 70/PSM 70/ PDU 70/PLS 70	PG 70/PR 70/ PW 70/PSM 70/ PDU 70/PLS 70	PR 90/PW 90/ PSM 90/PDU 90/ PLS 90	PR 90/PW 90/ PSM 90/PDU 90/ PLS 90	PR 110/PW 110/ PSM 110/PDU 110/ PLS 110	PR 110/PW 110/ PSM 110/PDU 110/ PLS 110

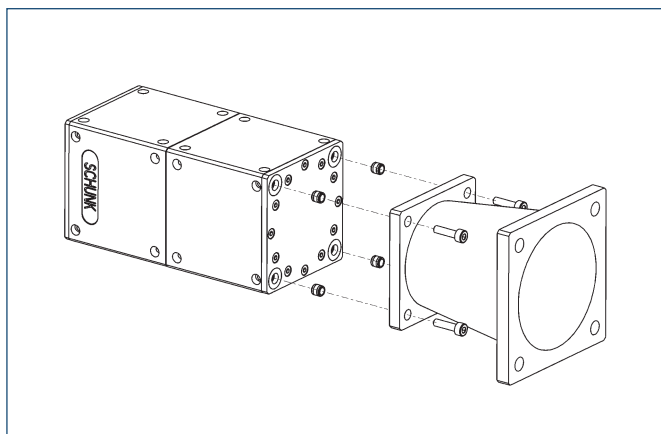
Right-angle PAM



Right-angle standard connecting element suitable for PG grippers, PR rotary unit, PW rotary tilting unit, PSM/PDU servo-motors and PLS linear modules of the PowerCube series. Special lengths on request

Description		PAM 120	PAM 121	PAM 122
	ID	0307820	0307821	0307822
Dimensions	[mm]	90°/70.5x98	90°/90.5x122	90°/110.5x146
Suitable for		PG 70/PR 70/PW 70/ PSM 70/PDU 70/PLS 70	PR 90/PW 90/PSM 90/ PDU 90/PLS 90	PR 110/PW 110/PSM 110/ PDU 110/PLS 110

Conical PAM



Conical standard connecting element for connecting PowerCube modules in various sizes, suitable for PG grippers, PR rotary unit, PW rotary tilting unit, PSM/PDU servo-motors and PLS linear modules. Special lengths on request

Description		PAM 110	PAM 111	PAM 112	PAM 113
	ID	0307810	0307811	0307812	0307813
Dimensions	[mm]	90x90/45/70x70	90x90/90/70x70	110x110/55/90x90	110x110/110/90x90
Suitable for		PR/PW/PSM/PDU/ sizes 70 and 90	PR/PW/PSM/PDU/ sizes 70 and 90	PR/PW/PSM/PDU/ sizes 90 and 110	PR/PW/PSM/PDU/ sizes 90 and 110

