

## Sensor Distributor

For connecting all SCHUNK sensors and sensor systems (IN/INK/MMS, etc.). In the versions 2 (V2), 4 (V4) and 8 (V8).



### Function description

Distributors collect incoming signals and forward them in a single cable. This eliminates with unnecessary cables. The switching state of the connected components can be checked by the LEDs integrated in the distributor.

### Your advantages and benefits

#### Status and switching display via LED

for directly checking the switching state

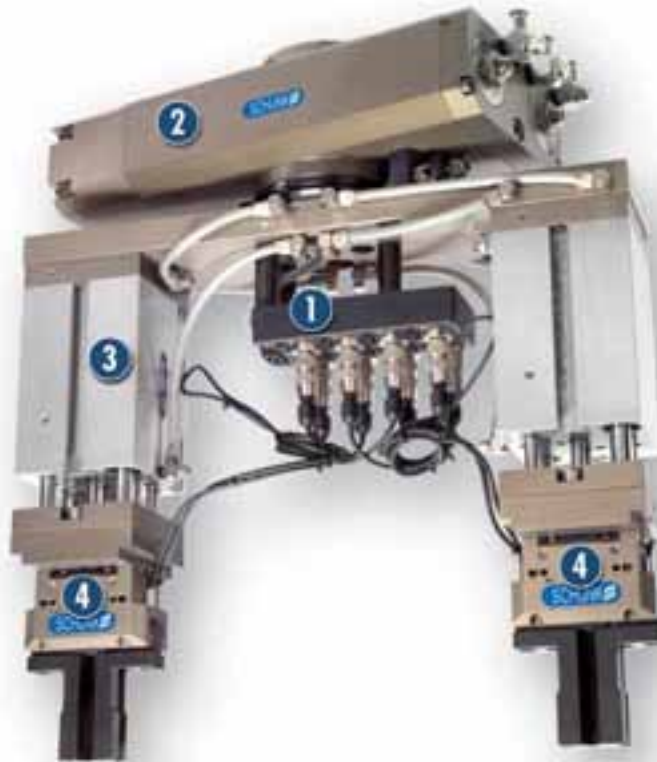
#### One feeder cable

making it ideal for feeding through signals

#### Sturdy PA housing

for a long life and resistance to many chemicals

## Application example



### Area of application

Sensor distributors from SCHUNK are universal and resistant to vibration, dust and humidity. They are therefore suitable for use in both clean and dirty environments.

1 V 8 Sensor Distributor

2 SRU 63 Flat Rotary Actuator

3 PHE Stroke Module

4 PGN 2-Finger Parallel Gripper  
with workpiece-specific gripper  
fingers

### General information

#### Materials

Housing: PA 6 GF 30, black

Cable: PUR sheathing

#### Mounting

with screws

#### Protection class to DIN 40050

IP 67 when connected

#### Scope of delivery

Complete incl. sealing plugs for sealing unused connections, 1 set of labels

#### Warranty

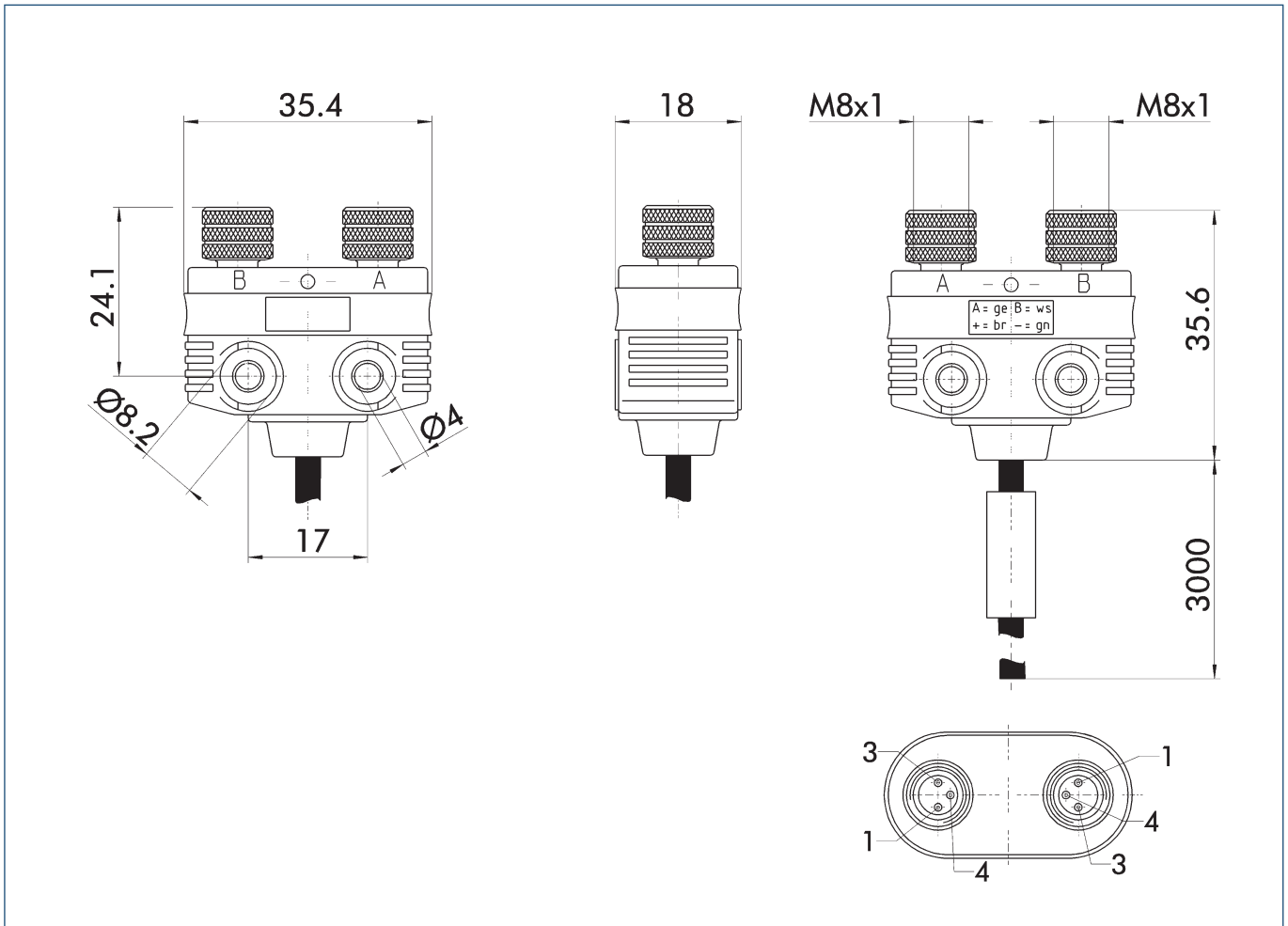
24 months



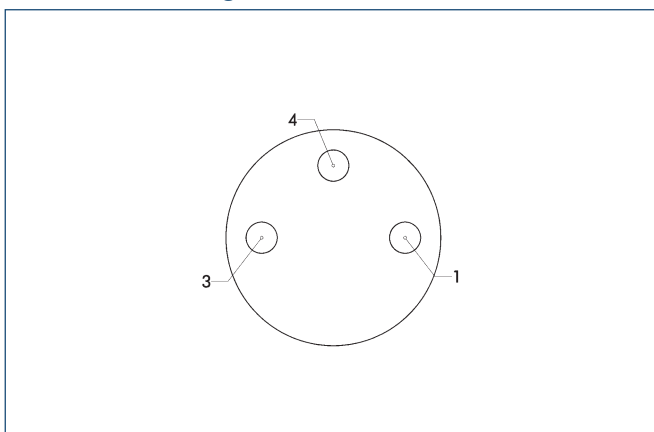
## Technical data

Description		V 2-M8	V 2-M12
	ID	0301900	0301589
Socket		M8*1	M12*1
Cable length	[m]	3.0	3.0
Nominal voltage	[V]	24.0	24.0
Min. voltage	[V]	10.0	10.0
Max. voltage	[V]	30.0	30.0
Max. current per wire	[A]	2.0	2.0
Max. overall current		2.0	2.0

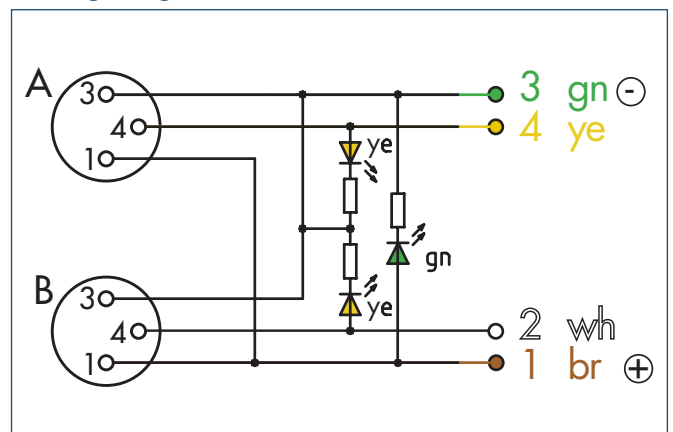
## Main views of the V 2-M8



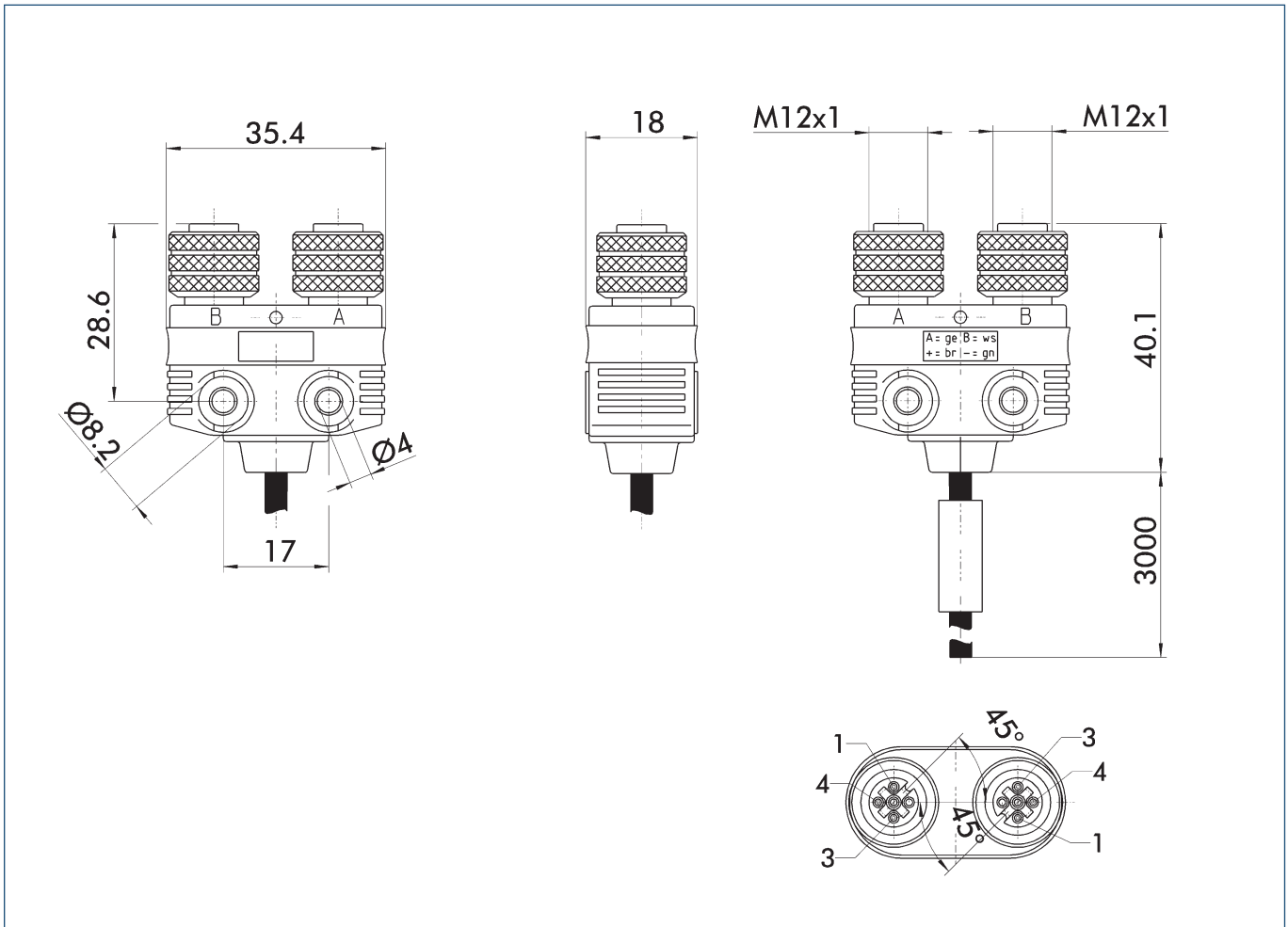
## M8 contact assignment



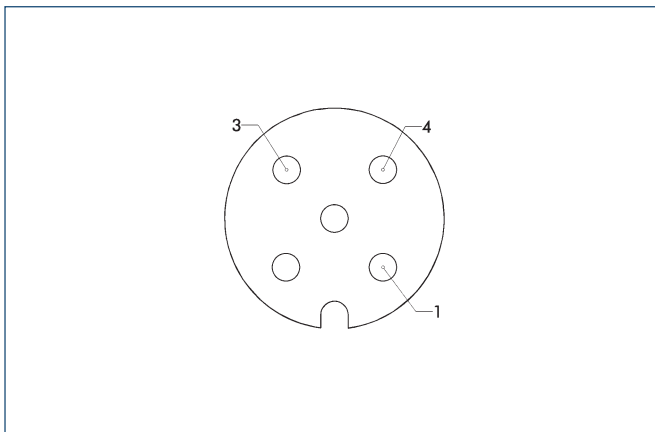
## Wiring diagram



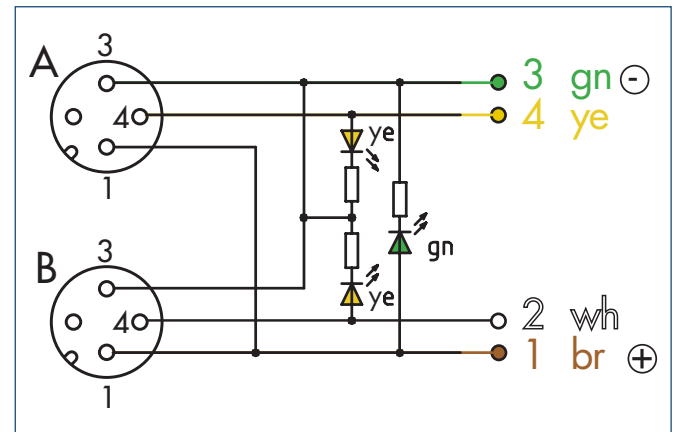
## Main views of the V 2-M12

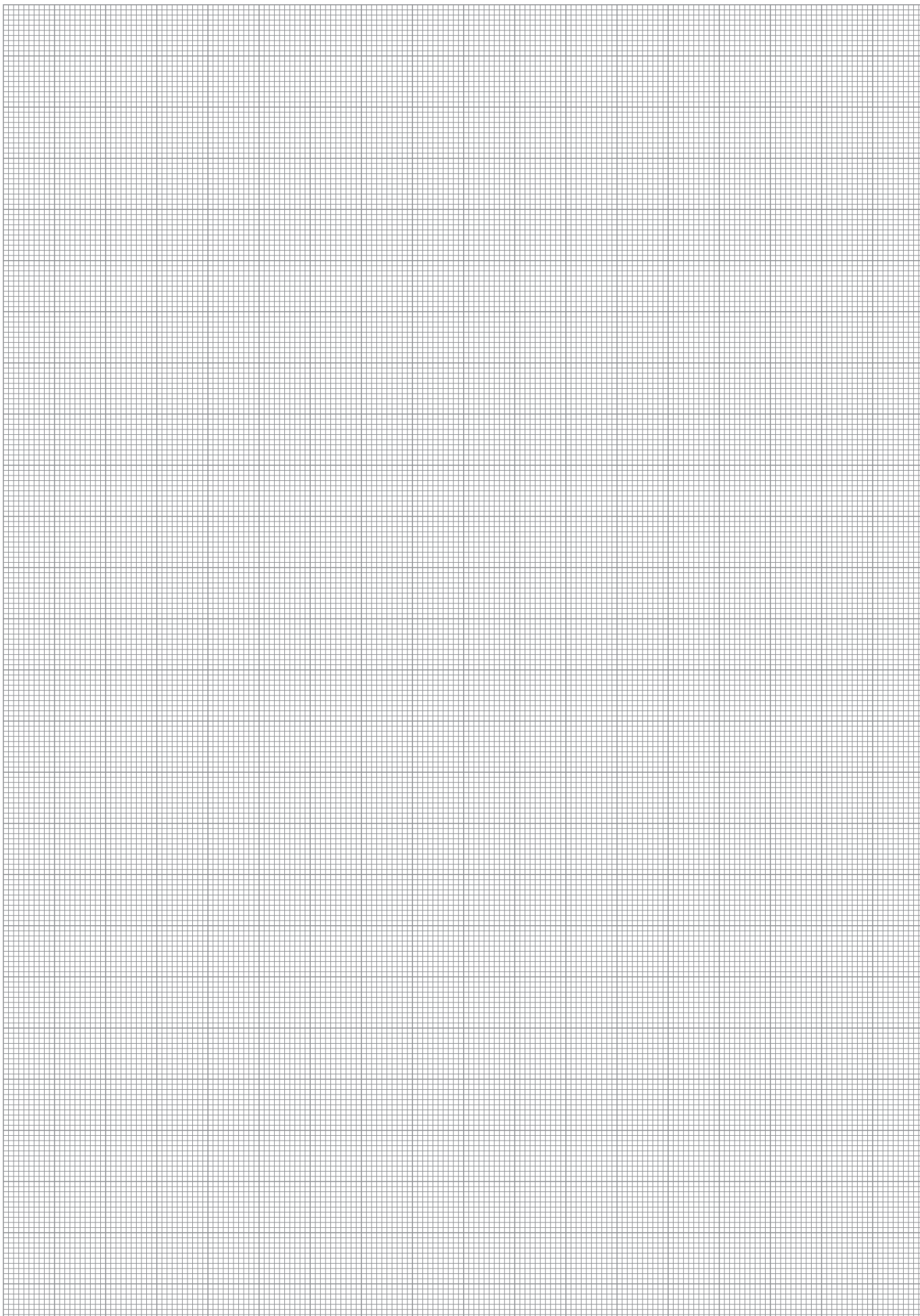


### M12 contact assignment



### Wiring diagram



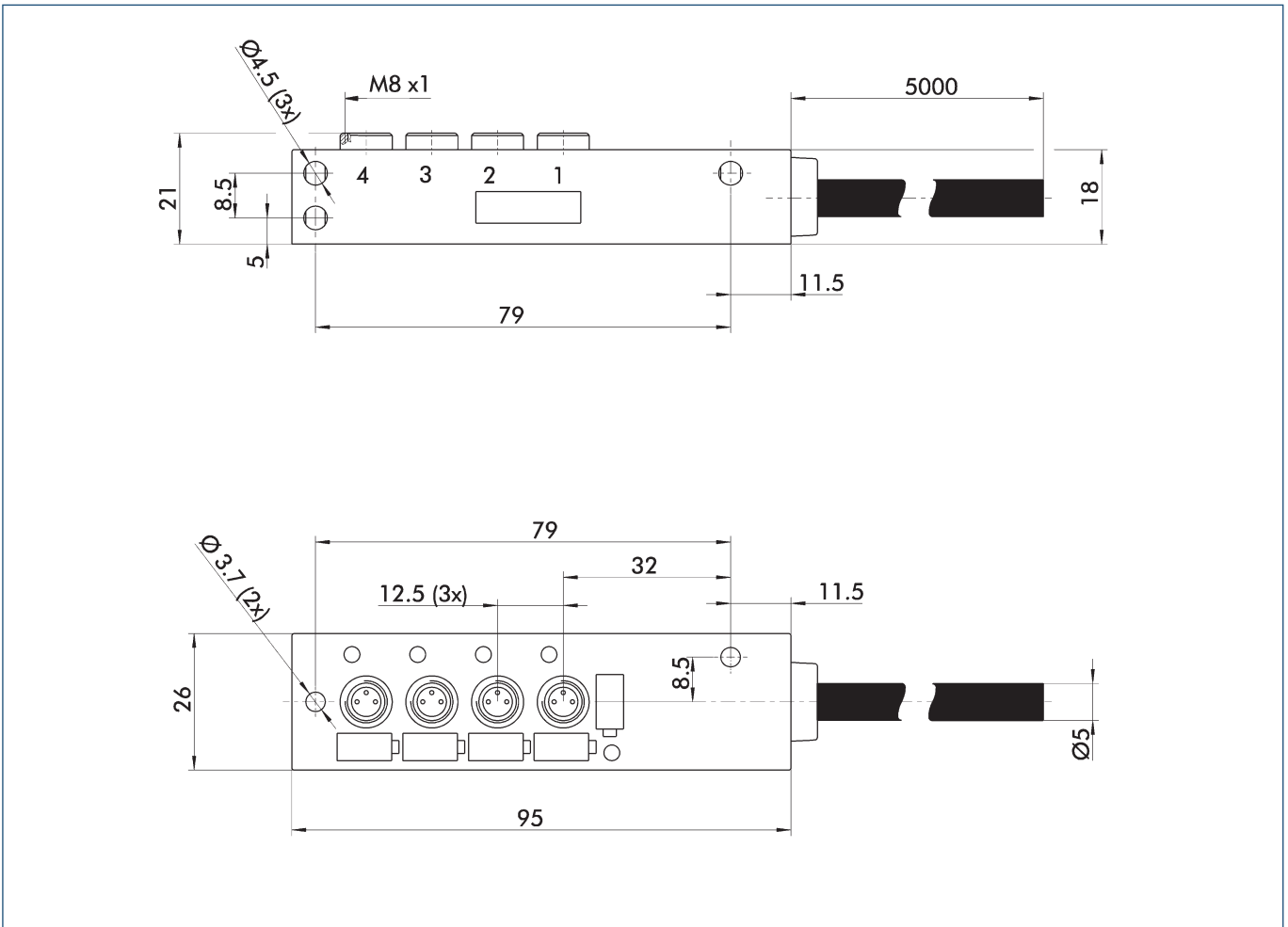




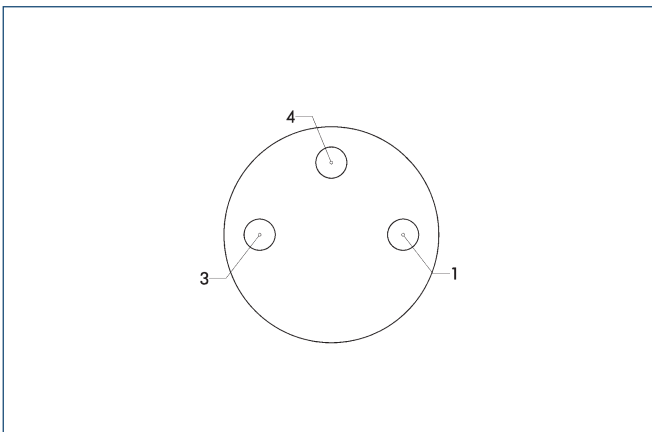
## Technical data

Description		V 4-M8	V 4-M12
	ID	0301904	0301902
Socket		M8*1	M12*1
Cable length	[m]	3.0	3.0
Nominal voltage	[V]	24.0	24.0
Min. voltage	[V]	10.0	10.0
Max. voltage	[V]	30.0	30.0
Max. current per wire	[A]	2.0	2.0
Max. overall current		2.0	2.0

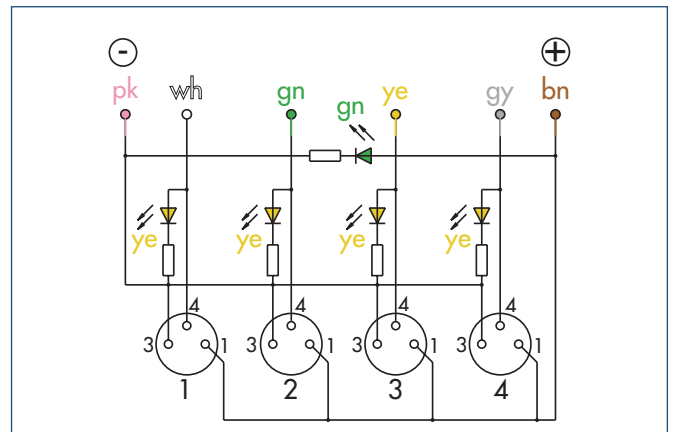
## Main views of the V 4-M8



## M8 contact assignment

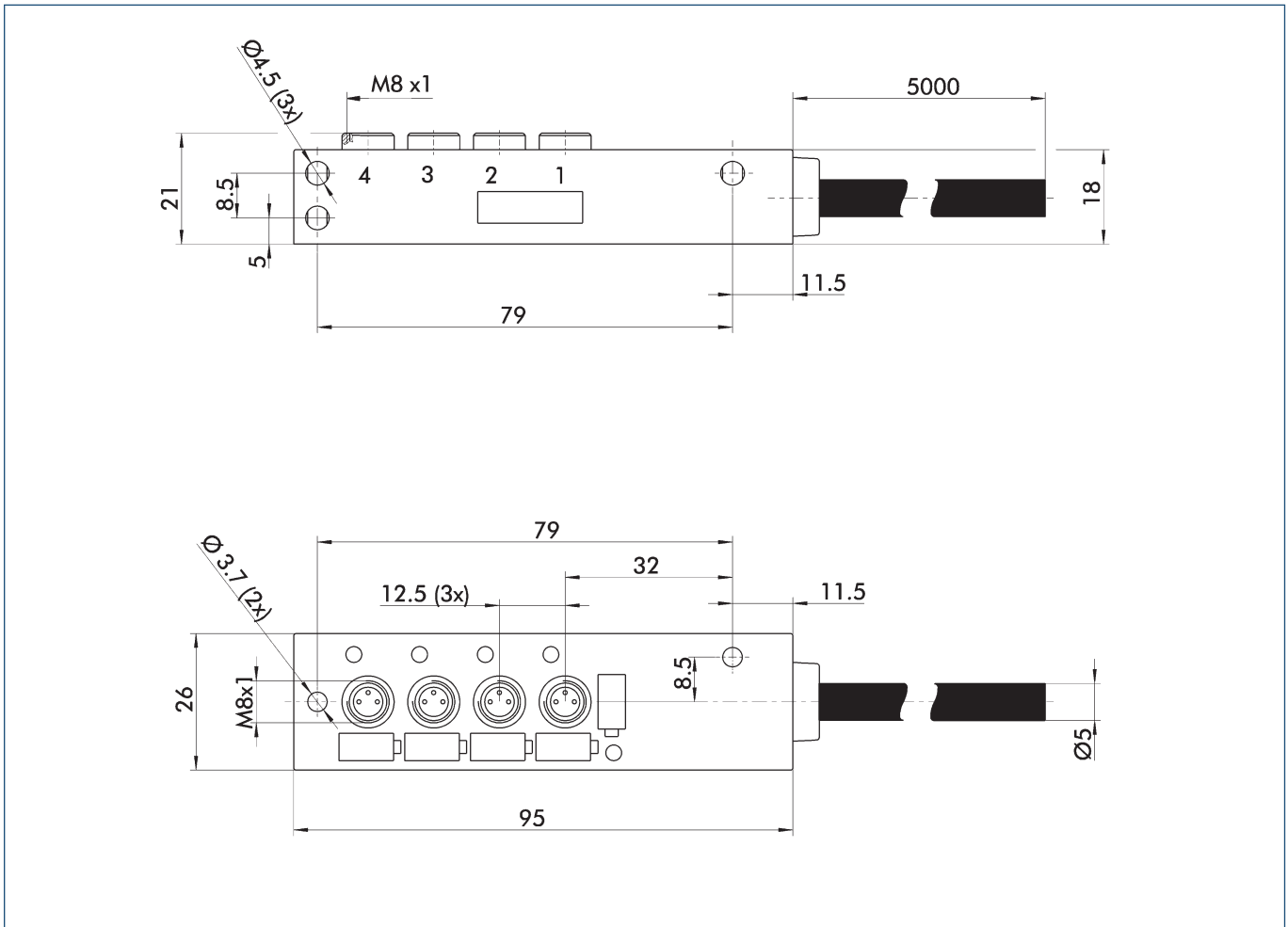


## Wiring diagram

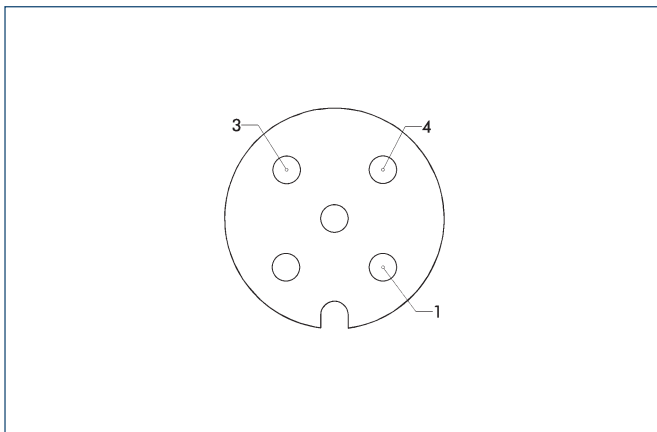




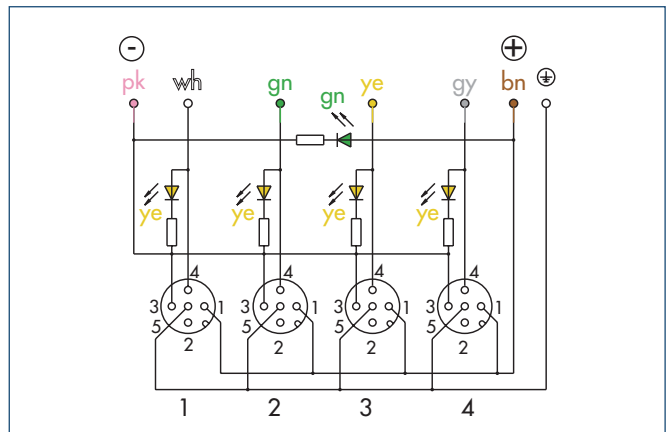
## Main views of the V 4-M12

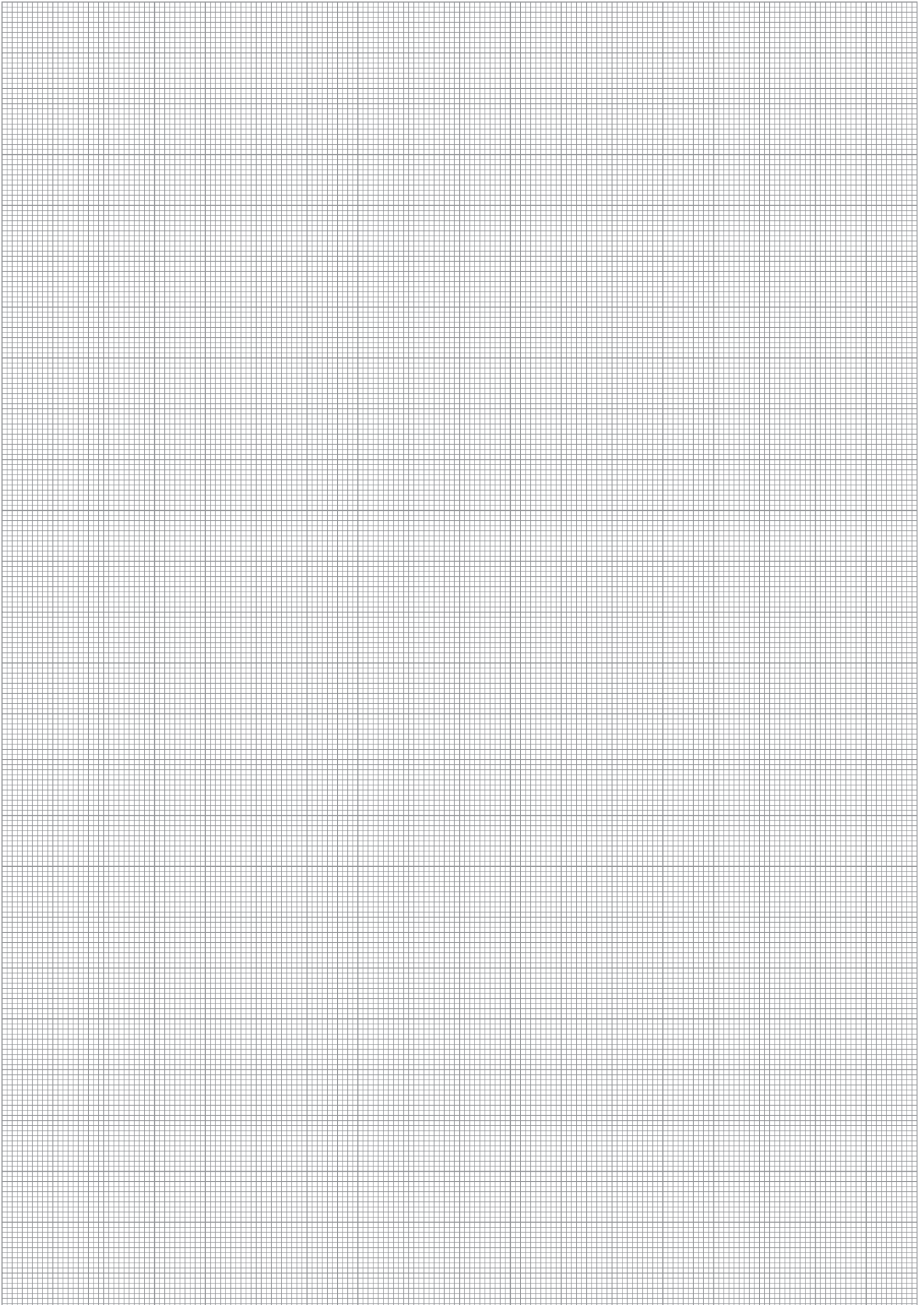


### M12 contact assignment



### Wiring diagram



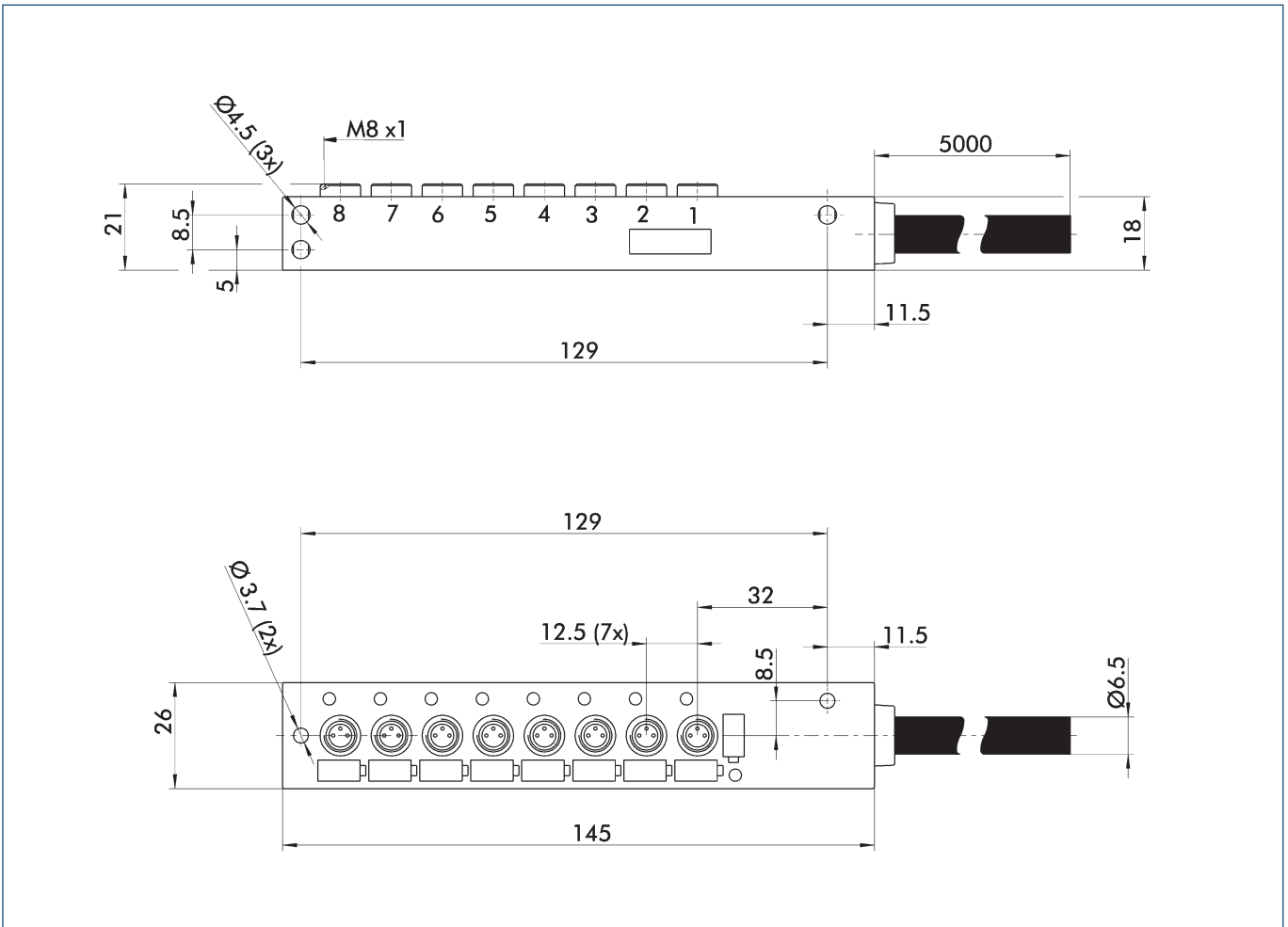




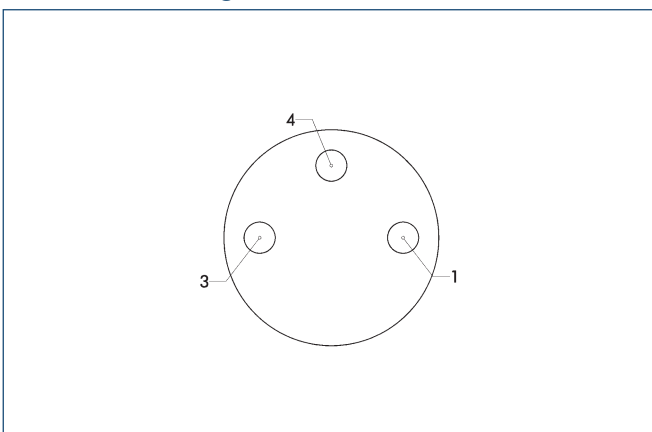
## Technical data

Description		V 8-M8	V 8-M12
	ID	0301906	0301590
Socket		M8*1	M12*1
Cable length	[m]	3.0	3.0
Nominal voltage	[V]	24.0	24.0
Min. voltage	[V]	10.0	10.0
Max. voltage	[V]	30.0	30.0
Max. current per wire	[A]	2.0	2.0
Max. overall current		2.0	2.0

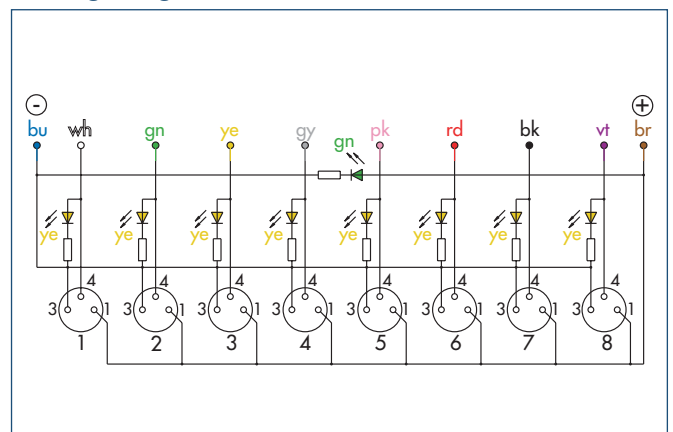
## Main views of the V 8-M8



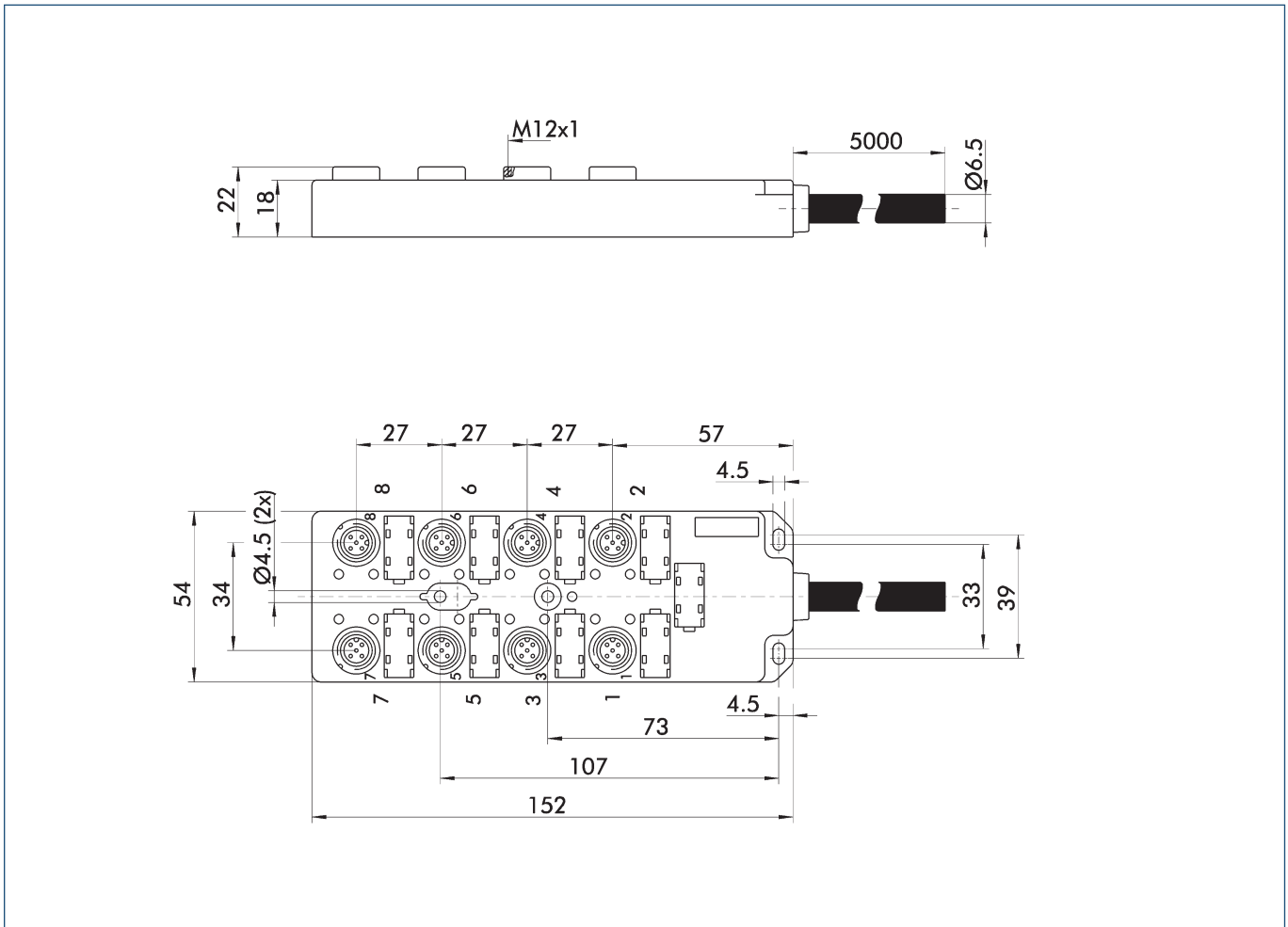
## M8 contact assignment



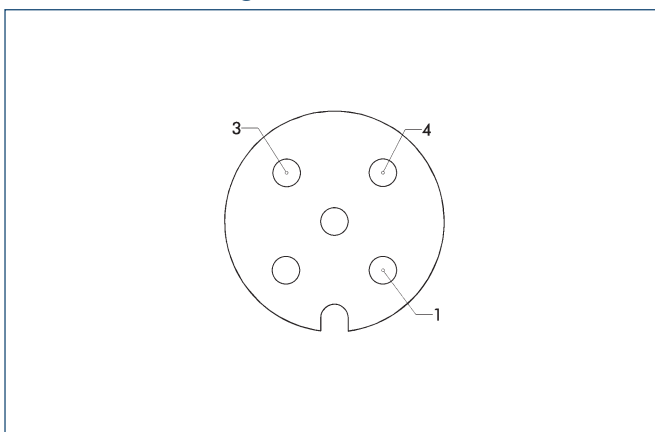
## Wiring diagram



## Main views of the V 8-M12



### M12 contact assignment



### Wiring diagram

